

PRECISION INSTRUMENT CORPORATION

SERIES '300' ALL SS LIQUID FILLED GAUGES

SPECIFICATIONS:

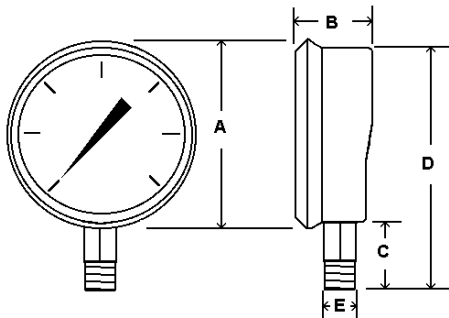
STAINLESS STEEL CASE AND BEZEL
 316SS INTERNALS AND CONNECTION
 LIQUID FILLED (DRY AVAILABLE)
 1.5% ACCURACY

AVAILABLE DIAL SIZES: 1 1/2", 2", 2 1/2", 4", 6"

AVAILABLE CONNECTION SIZES:

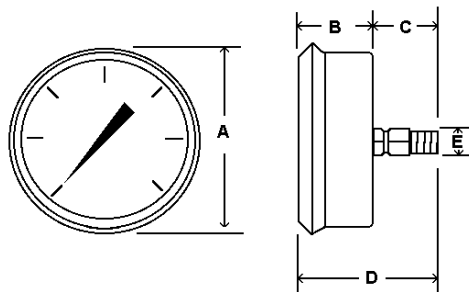
1/4" MNPT ON 2 1/2" AND 4"

1/2" MNPT ON 4" AND 6"



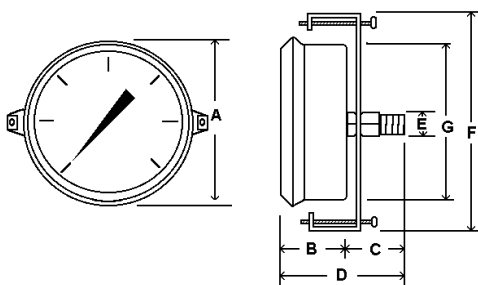
301L

	2 1/2"	4"	6"
A	2.8"	4.35"	6.5"
B	1.23"	1.28"	1.7"
C	1"	1.475"	
D	3.63"	5.75"	
E	.5"	.8"	



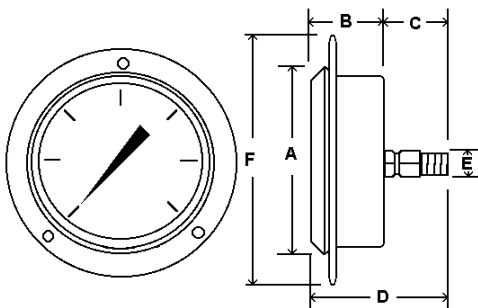
302L

	1 1/2"	2 1/2"
A	1.7"	2.8"
B	1.1"	1.23"
C	.875"	1.1"
D	2"	2.35"
E	.55"	.5"



303L

	1 1/2"	2 1/2"
A	1.73"	2.8"
B	1.05"	1.23"
C	.825"	1.1"
D	1.8"	2.38"
E	.375"	.5"
F		
G	1.56"	2.45"



304L

	1 1/2"	2 1/2"
A		2.8"
B		1.23"
C		1.1"
D		2.38"
E		.5"
F		3.43"
G		2.45"