

PRECISION INSTRUMENT COMPANY

'HOSE' SERIES HOSE TEST GAUGES

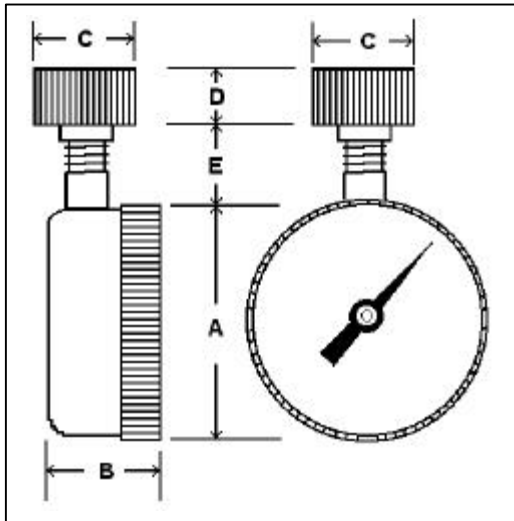
SPECIFICATIONS:

- **GAUGE: 0-300 PSI**
 2 1/2 Dial Size Black Plastic Case
 Bourdon Tube Type Pressure Gauge
 Brass Bourdon Tube And Socket
 Plastic Lens
 3-2-3 % Accuracy
 Top Connection
 3/4" Female Brass Hose Coupling & Tail Piece
 With Rubber Washer
- ** **Available with or without
 Maximum Indicating Pointer**



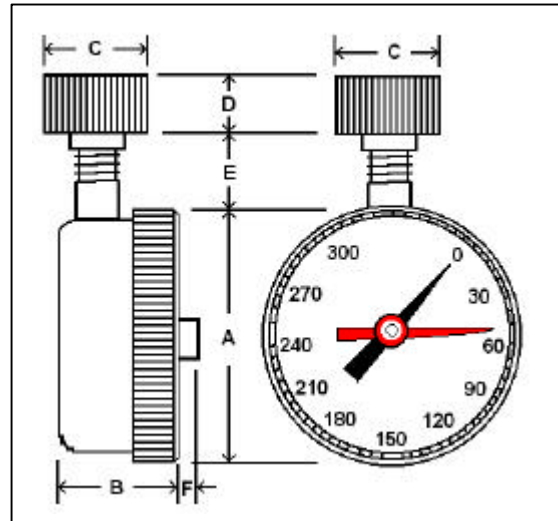
DIMENSIONS:

'HOSE'



	INCHES	MM
A	2.56	65
B	1.21	31
C	1.14	29
D	.57	14.5
E	1.22	31

'HOSE-MAX'



	INCHES	MM
A	2.83	72
B	1.18	31
C	1.14	29
D	.57	14.5
E	1.22	31
F	.2	5